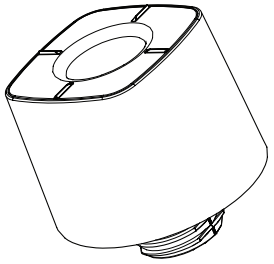


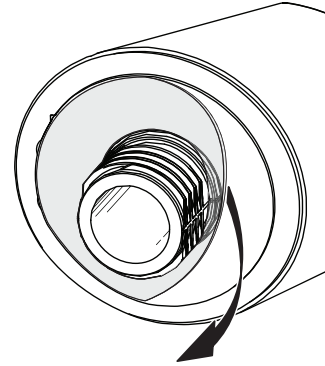
HS150
Wall Mount Flat Puck
HS156



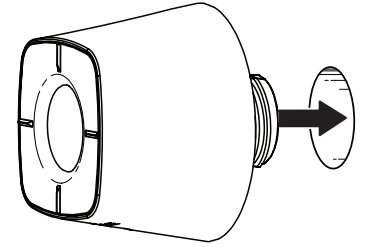
- 1** Drill a 29 mm (1.125") hole in fixture. Wipe fixture with alcohol wipe provided. **Let it dry completely.**



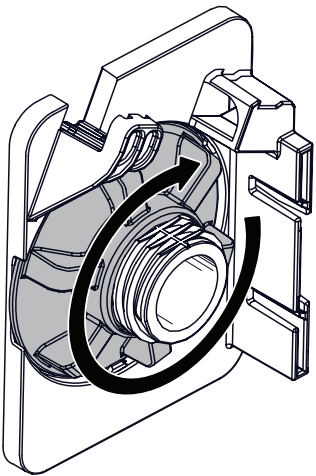
- 2** Remove clear film from adhesive on bottom of puck.



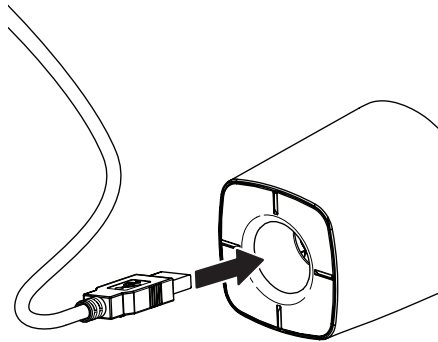
- 3** Slide puck through wall.



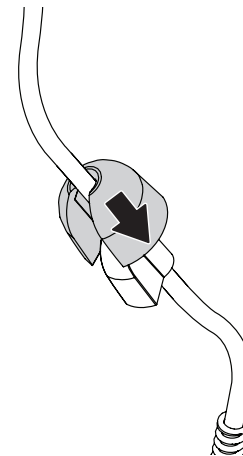
- 4** **Below fixture:** Fully tighten plastic nut onto puck behind wall.



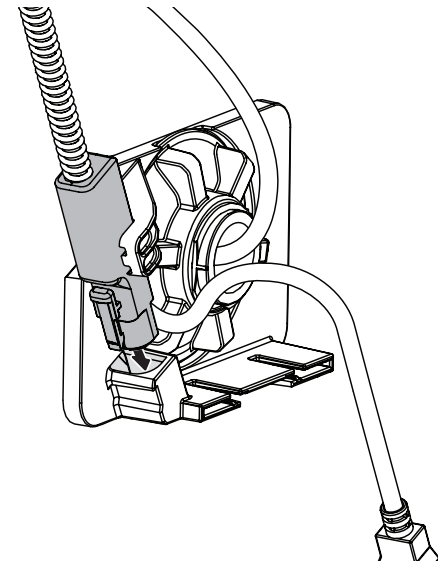
- 5** **Below fixture:** Slide sensor cable through front of puck.



- 6** **Below fixture:** Slide stopper onto sensor cable.

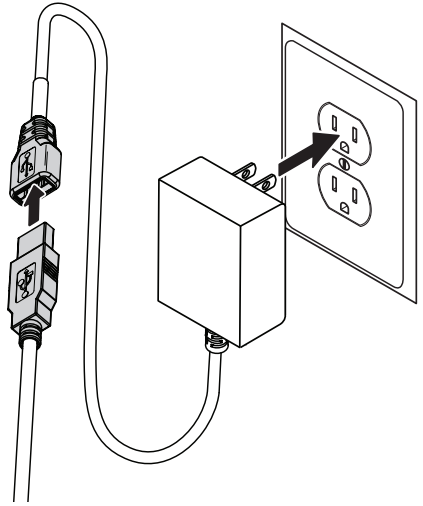


- 7** Firmly plug sensor cable into plastic nut assembly and pull on cable to confirm it is locked in.



8

Plug power supply into sensor cable and outlet.



SD0280 Rev1 07/13/15

inVUE

www.invesecurity.com

NA / LATAM // 704.752.6513 • 888.55.INVUE

EMEA // +31.23.8900150

APAC // +852.3127.6811

© 2015 InVue Security Products Inc. All rights reserved.
InVue is a registered trademark of InVue Security Products.